



Ranch 2 Rail Fence

LBP3972 2" x 6" x 96"

Tools Required:

- Shovel
- Power drill, 1/8" drill bit and #2 Philips bit
- Tape Measure
- String line, stakes, and level

Optional Tools:

- Post Hole Digger
- Power Auger
- Safety Glasses
- Miter Saw (optional if cutting down rails or pickets)
- File (optional for sloped picket installations)

Accessories Needed:

- Concrete and gravel (sold separately)
- PVC Vinyl Cement. Careful planning and measurement of your fence project is essential, as moving posts after the concrete sets is extremely difficult.

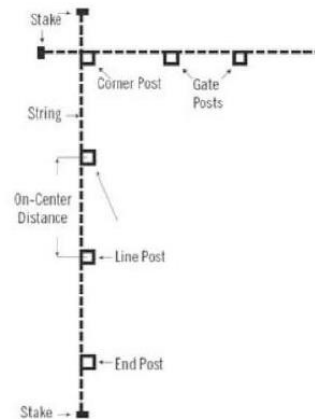
Planning:

- Prior to construction, check with your regulatory agency for local code requirements.
- Contact your utility company to locate and mark underground lines.
- Careful planning and measurement of your fence project is essential, as moving posts after the concrete sets is extremely difficult.

Installation Steps

Step1. Layout fence and position post

- Consider soil conditions, slopes, utility locations and property lines when positioning posts.
- Run a string line to locate the fence line, using the line to establish the outside faces of your posts. **(Fig.1)**



- Stake out the fence posts, locating line, corner, end and gate posts.
- Mark the centers of the post locations for your fence style and gate using dimensions from the Post Location Chart below

Post Location Chart

The following chart summarizes sizes and measurements for posts, fence sections and gates.

Fence Style	Post Size	Fence Span	Fence: On-Center Distance	Gate Opening	Gate: On Center Distance
Picket Fence	4 x 4	68"	72"	48"	52"
Privacy & Privacy w/ Lattice	5 x 5	68 1/2"	73 3/4"	48"	53"
Ranch Rail	5 x 5	93"	98"	72"	77"

(*On Center* means from center of one post to center of next post):

Post Style

There are 3 styles of posts needed to complete your project (**Fig.2&3**). Line Posts, Corner Posts and End Posts.(Use End Posts for Gate Posts). **Make sure you have the correct type and quantity of posts before proceeding.**

Step 2.Set posts

- Dig or auger post holes based on the dimensions in chart below. Ensure the bottom of the post is set at exactly 24" below grade for the Ranch Rail style. (**Fig.4**).
- Remember-In frost regions, dig the post holes deep enough to ensure concrete extends below the frost line.
- Prior to pouring concrete, ensure the routed holes in the posts are oriented in the correct direction.
- Mix concrete according to manufacturers' specifications. Place and hold the post while pouring concrete 6" at a time, tamping to eliminate air pockets. Leave enough space at the top of the concrete to allow sod to grow around the post. Set the correct post height, plumb and level each post.
- Before concrete sets, sight down the fence line and, if necessary, adjust posts. If posts are too high, place a wooden block across the top of the post and tap down with a rubber mallet. Allow post concrete to set 24-48 hours before installing fence sections.

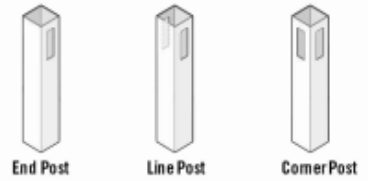


Fig. 2

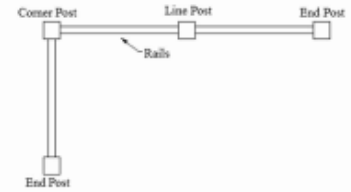


Fig. 3

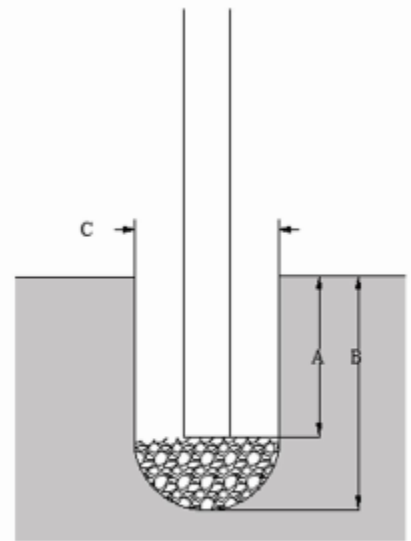


Fig. 4 Post Hole Dimensions

Post Setting Chart

Fence Style	Post Size	Post Depth (A)	Post Hole Depth (B)	Post Hole Diameter (C)
Picket Fence	4" x 4"	24"	30"	10"
Privacy & Privacy w/ Lattice	5" x 5"	32"	38"	12"
Ranch Rail	5" x 5"	24"	30"	12"