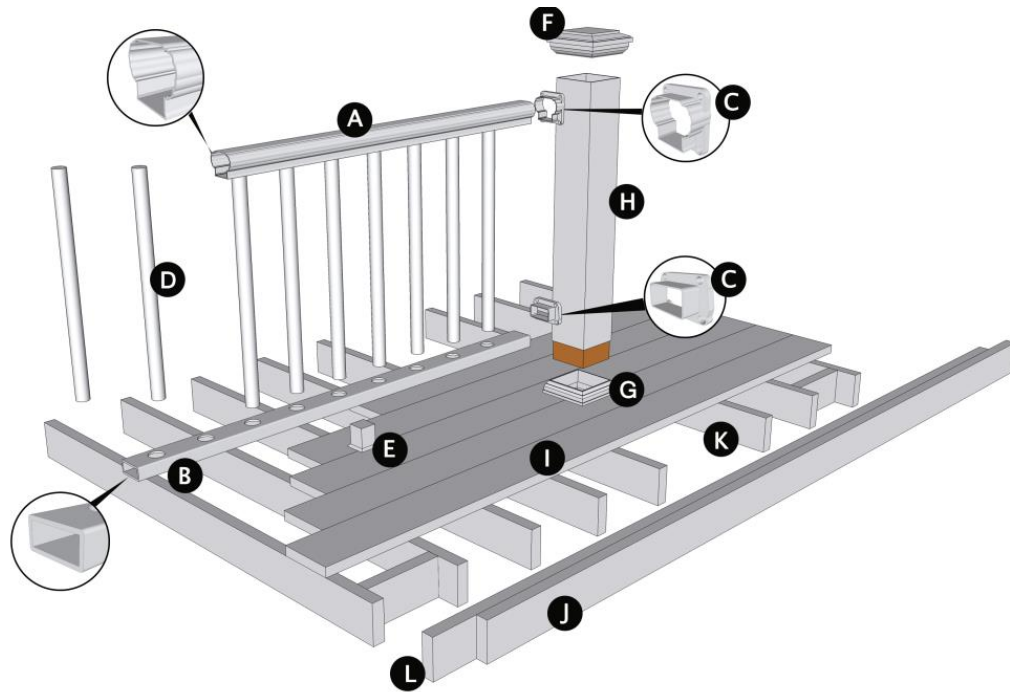


# INSTALLATION INSTRUCTIONS

## Premium Composite Straight Rail

Customer Service #: 800.273.8909



- A. Top Rail
- B. Bottom Rail
- C. Brackets
- D. Aluminum Round Balusters
- E. Support Block
- F. Post Sleeve Cap\*
- G. Post Sleeve Ring\*
- H. Post Sleeve\*\*
- I. Decking
- J. Fascia
- K. Code-approved Wood Joist
- L. Code-approved Wood Rim Joist

DETERMINING BALUSTERS NEEDED	
Baluster Type	Per 68.35" Section
Straight Rail Application	14
Stair Rail Application	12

\* Included with post sleeve kit (sold separately)

Wood post and carriage bolts not included in the railing kits.

\*\* 4" x 4" post sleeve (Actual size 4.45" x 4.45" x 48") is designed to fit over 4" x 4" pressure-treated post or Structural Steel Support post (1122001)

# HOW TO INSTALL STRAIGHT DECK RAILING

Read rail instructions **BEFORE** installation.

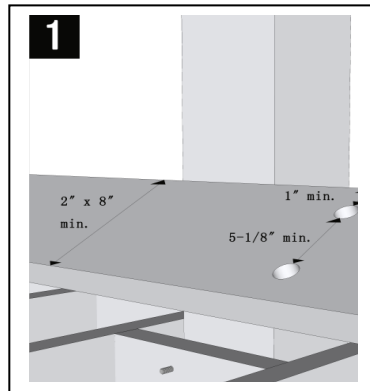
*NOTE: Always consult local building codes for approved post installation.*

**Important:** When using 48" post sleeves, measure carefully to allow for clearance of both rail attachment as well as clearance for post cap attachment, and trim these before installing over pressure treated posts. For 36" railing height, post sleeve should be cut at minimum of 40".

## Install Pressure-Treated Posts or 1122001 – Structural Steel Support post (sold separately) *Treated posts and carriage bolts sold separately.*

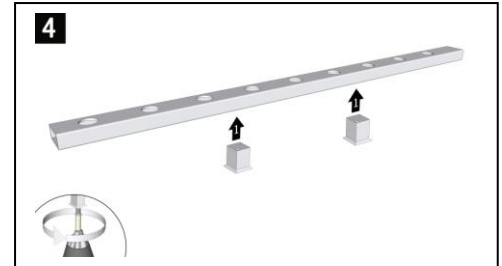
1. Posts must be set 68.5" inside of post to inside of post (may need slightly larger to accommodate sliding rail into place)

- » Attach posts using 1/2" carriage bolts.
  - » Minimum joist size is 2" x 8".
  - » Top bolts must be 1" from tops of joists.
  - » Bottom bolts must be 5-1/8" from top bolts.
- NOTE: Blocking MUST be added for extra strength.*



## Attach Support Block to Bottom Rail

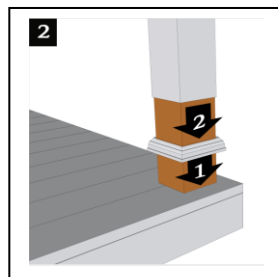
4. Invert the bottom rail, install the two support blocks on the bottom rail.



## Install Post Sleeve Rings and Post Sleeves

2. Slide post sleeve ring over post and down to rest on decking surface. Slide post sleeve over post and position inside post sleeve ring.

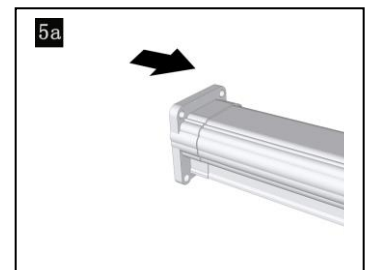
*NOTE: Shims can be used to plumb post sleeves.*



## Attach Brackets to Top Rail

5a. Position brackets on each end TOP RAIL. Attaching brackets by using #3/4" self-tapping screws.

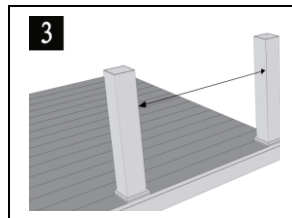
(provided and refer to screws instruction "A", included in the railing kit package)



## Cut Railings (if required)

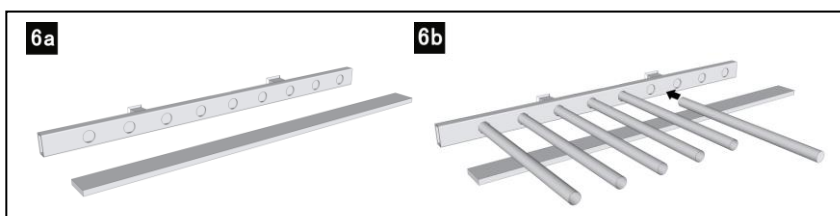
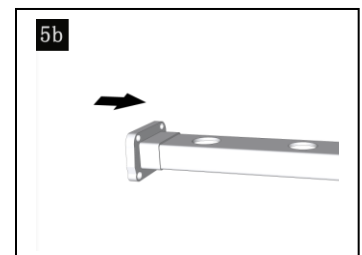
3. Measure between posts and cut rails to same length.

When measuring, cut equal lengths from each side of railing allowing a minimum of 1-1/2" on each end from the last baluster hole to the end of the rail. This will ensure proper baluster and bracket placement and equal spacing of balusters per each railing section. If when cutting rail and you plan on using both sections of rail then an additional rail bracket must be purchased.



## Attach Brackets to Bottom Rail

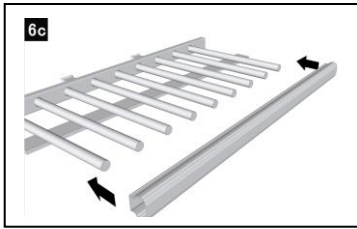
5b. Position brackets on each end BOTTOM RAIL.



## Assemble Railing Section

6a. On a clean flat surface lay bottom railing on its side. Make sure to allow enough room for installation of balusters and top rail. Place a scrap piece of 1" decking board running parallel to bottom rail for support when installing balusters.

6b. Insert balusters into bottom rail slots until balusters are fully seated.



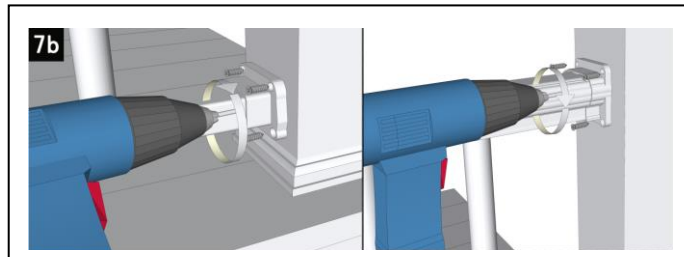
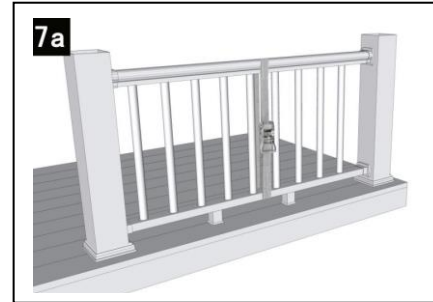
6c. Attach top rail to balusters, feeding each baluster into required slots. Start on one end and work towards the other.

6d. In order to help temporarily secure the railing section together, place a ratchet strap around the top and bottom rail and tighten until snug. **DO NOT OVERTIGHTEN AS YOU CAN BEND THE RAILING.**

### Installing Railing Section to Posts

Lift secured railing section up, and **CENTER** this section in between the spanned posts.

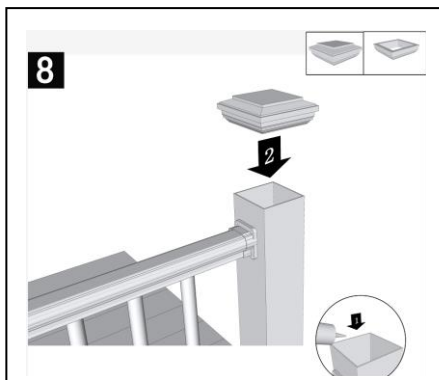
7a. Slide brackets over top & bottom rail ends before setting rail in place. *NOTE: To help stabilize railing section use a quick grip clamp (or other type of clamp) and clamp the first baluster to post sleeve.*  
(DO NOT OVERTIGHTEN CLAMP.)



7b. Install both bottom and top brackets on each side to post using four #1-1/2" wood screws (*provided*). For best results, set drill to low speed when installing these screws:

(Refer to Screw Installation Guide "A", including in the Railing kit package)

### Attach Post Caps



8. Secure post caps with silicone or PVC adhesive.

*NOTE: Clean up any excess adhesive before drying.*