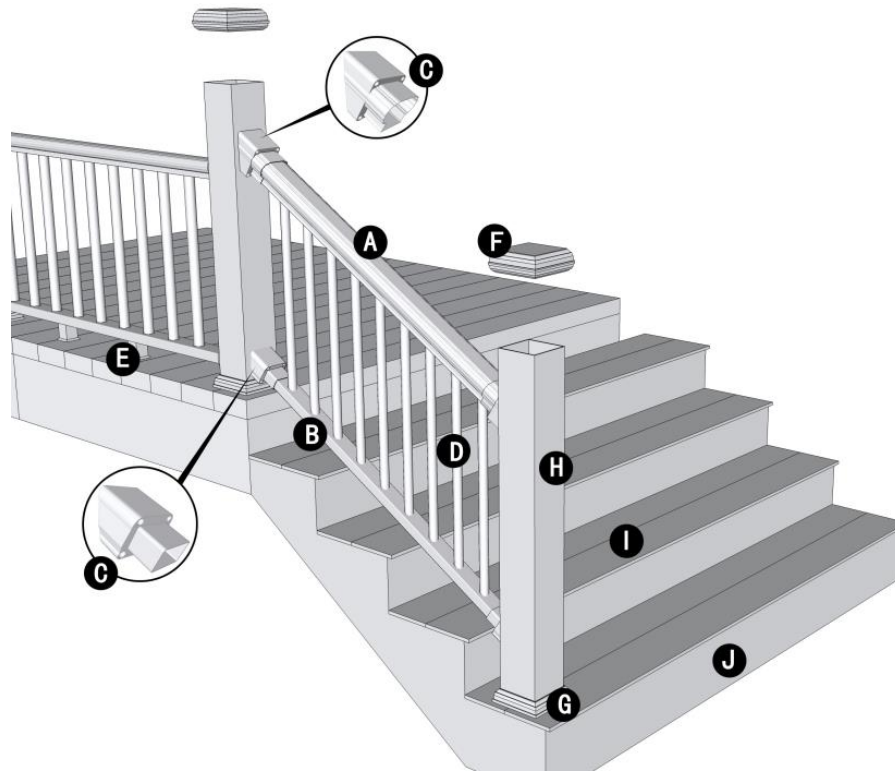


INSTALLATION INSTRUCTIONS

Premium Composite Stair Rail

Customer Service #: 800.273.8909



- A. Top Rail
- B. Bottom Rail
- C. Brackets
- D. Aluminum Round Balusters
- E. Support Block
- F. Post Sleeve Cap*
- G. Post Sleeve Ring*
- H. Post Sleeve**
- I. Decking
- J. Fascia

DETERMINING BALUSTERS NEEDED	
Baluster Type	Per 68.35" Section
Straight Rail Application	14
Stair Application	12

* Included with post sleeve kit (sold separately)
Wood post and carriage bolts not included in the railing kits.

** 4" x 4" post sleeve (Actual size 4.45" x 4.45"x48") is designed to fit over 4" x 4" pressure-treated post or Structural Steel Support post (1122001)

HOW TO INSTALL STAIR RAILING

Read rail instructions BEFORE installation. Measuring and Cutting Railings

IMPORTANT NOTE: POST TO POST SPAN WILL BE LESS THAN 68.35" PRIOR TO INSTALLING POSTS CALCULATE POST TO POST SPAN USING A MAXIMUM RAIL LENGTH OF 68.35" AND THE ANGLE (32°-37°) AT WHICH THE RAILS WILL BE INSTALLED. DO NOT INSTALL STAIR POSTS AT 68.35" SPAN, AS STAIR RAILINGS WILL THEN BE TOO SHORT.

NOTES:

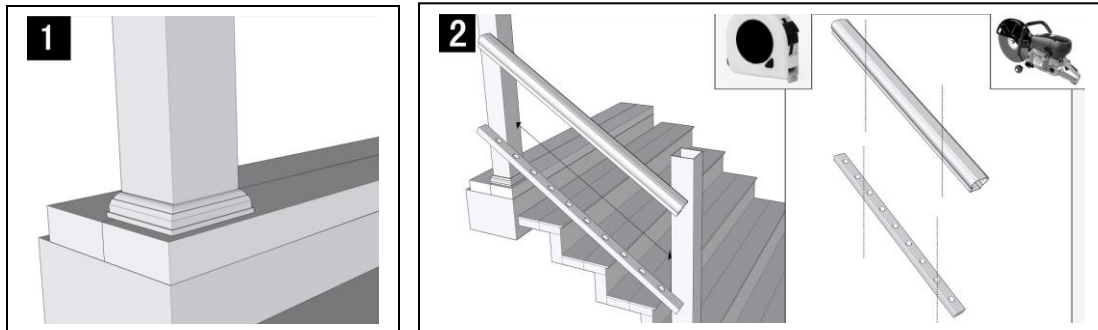
» Stair Railings work ONLY WITH STAIR SLOPES OF 32°-37°.

Installing Posts, Post Sleeve Skirts, and Post Sleeves for Stair Rails

1. Install posts, post sleeve skirts, and post sleeves according to standard railing instructions. In most cases, a longer post and post sleeve will be needed on the lower section of stair rail to accommodate stair angle. DO NOT cut the post/post sleeve until desired height is determined.

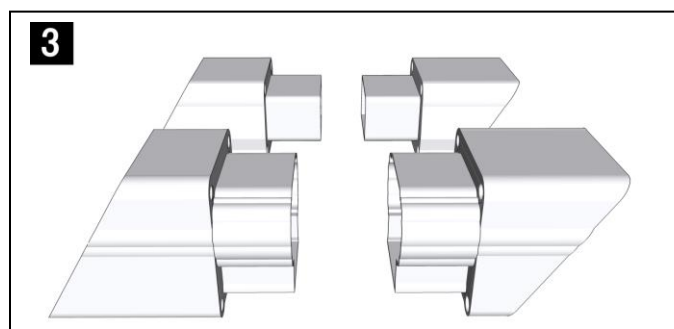
2. Make sure top and bottom posts for stairs are installed at nose of each tread.

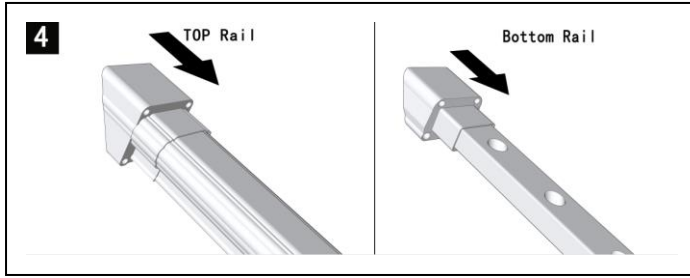
Set railing along the nose of the stair treads, making sure baluster holes are vertically aligned and mark the rail angle at each intersection. **When measuring, cut equal lengths from each side of railing allowing a minimum of 3" on each end from the last baluster hole to the end of the rail.** This will ensure proper baluster and bracket placement and equal spacing of balusters per each railing section.



3. Angle Determination

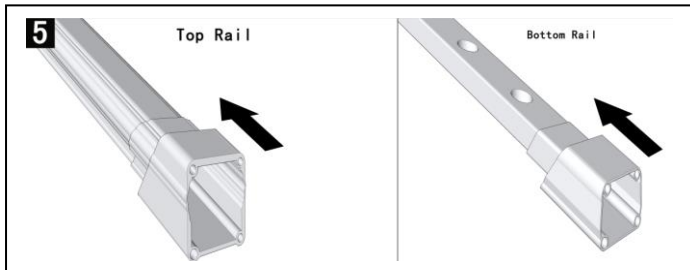
Place the top rail directly over the bottom rail while making sure that their holes are aligned. Tape them together temporarily so they will not move during angle marking. Lay the rails on the stairs against the posts. Make sure the holes in the rails are evenly distributed between the posts before marking the angle to be cut on both rails with a pencil. Cut the rails to the angle that was just marked. Draw a line on the stair/angle bracket in the same angle as the cut rails (two top rail brackets & two bottom rail brackets). Cut on the extended part of the rail bracket as possible.





4. Top rail baluster face down & bottom rail baluster holes must face up.

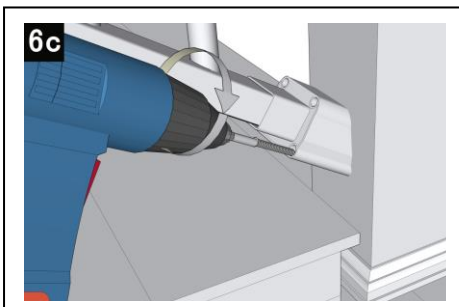
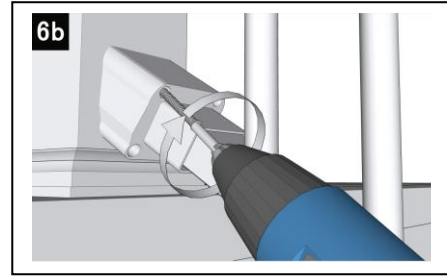
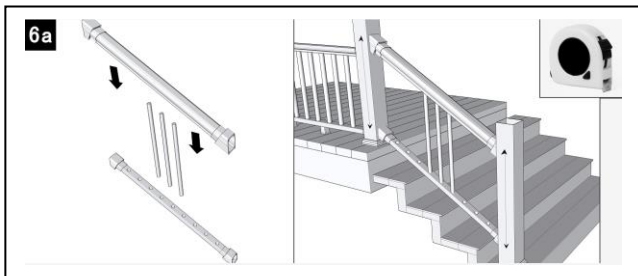
On the TOP RAIL, attach the top stair bracket to the side with baluster holes. On the BOTTOM RAIL, attach the top stair bracket to the OPPOSITE SIDE of the baluster holes. Attach both brackets using one #3/4" self-drilling screws (provided).



5. On the TOP RAIL, attach the bottom stair bracket to the side with baluster holes. On the BOTTOM RAIL, attach the bottom stair bracket to the OPPOSITE SIDE of the baluster holes. Attach both brackets by using one #3/4" self-drilling screws (provided).

6a. Assemble a few of the balusters into the bottom and top railings (make sure balusters are setting at 90°) and set this on scrap material clearing the stair treads to determine where bracket locations need to be. Measure to make sure that the bottom railing will clear the stair treads and the top railing will be aligned with Horizontal railing (remember in most cases, longer post and post sleeve will be needed on lower section of stair rail to accommodate stair angle).

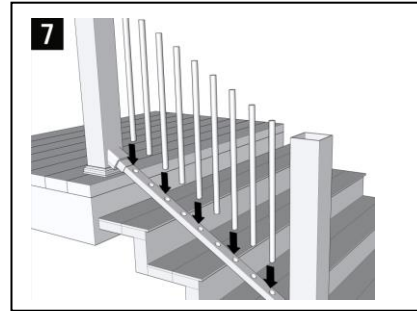
6b. After locating appropriate position for bottom rail remove top rail and balusters and attach bottom rail stair bracket to upper post using two #3-15/16" wood screws and two #5-1/2" wood screws(provided)



6c. Attach bottom stair rail stair bracket to lower post using two #3-15/16" wood screws and two #5-1/2" wood screws (provided). For best results set drill to low speed when installing these screws.

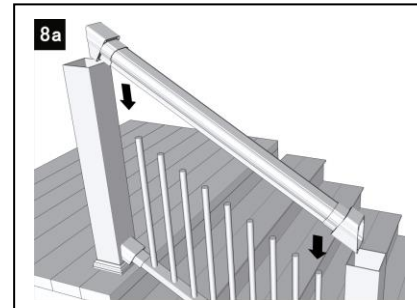
Install Balusters

7. Slide balusters into bottom rail until balusters are fully seated.



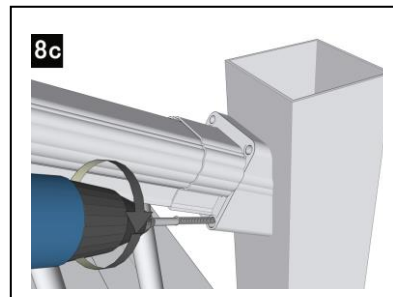
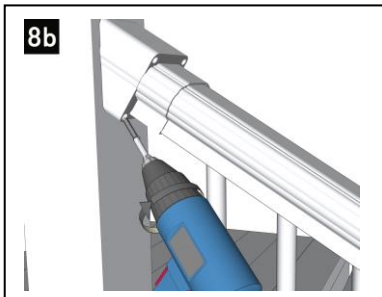
Attachment of Top Rail to Post

8a. Place top rail onto balusters, allowing the top rail to rest on the surface of the balusters.



8b. Attach top stair rail bracket to upper post using two #3-15/16" wood screws and two #5-1/2" wood screws (provided). For best results set drill to low speed when installing these screws.

8c. Attach top stair rail bracket to lower post using two #3-15/16" wood screws and two #5-1/2" wood screws (provided). For best results set drill to low speed when installing these screws.



Attach post Caps

9. Secure post caps with PVC Adhesive.

Note: Clean-up any excess adhesive before drying.

