

Belfast Privacy White Lattice Top Gate (6')

Installation Instructions

For SKU# LBP8617

Required:

- Circular or Hand Saw with Fine Tooth Blade
- Measuring Tape
- Pencil/Marker
- 4" x 4" Treated Wood Post (2)
- Power Drill with 1/4" Drill Bit
- 7/16" Wrench
- Safety Glasses
- 2 Bar Clamps

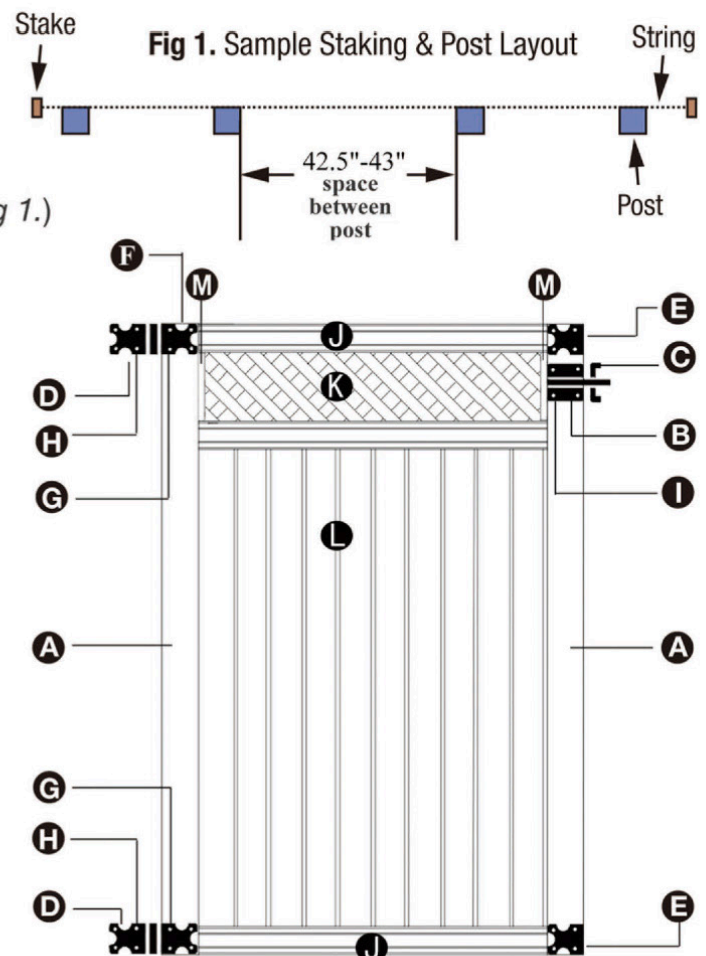
Installation Tips:

- Prior to construction, check with your regulatory agency for local code requirements
- Contact your utility company to locate and mark underground lines
- Careful planning and measurement of your fence project is essential, as moving posts after the concrete sets is extremely difficult

Planning is Essential

- Consider soil conditions, slopes, utility locations and property lines when positioning posts.
- Run a string line to locate the fence line and establish the outside faces of your posts (See Fig 1.)
- Mark the centers of the post locations for your gate. This Gate can accommodate openings 42.5" - 43" space between two post .

Item	Product Name
A	Gate Jambs
B	Striker
C	Latch
D	Hinged Bracket
E	Jamb Bracket
F	Jamb Cap
G	Through Bolts (16)
H	Self tapping screw (12)
I	Screws (12)
J	Rail
K	Lattice
L	Fence Panel
M	U channel for lattice



Setting Posts

1. Dig or auger post holes. The 4" x 4" Vinyl Posts require a **10" DIAMETER HOLE**, and must be at least **30" BELOW GRADE**. In frost regions, the post holes should be deep enough to extend below the frost line.
2. The gate can be set up for Right or Left swing. The post that will be used as your Hinge Side **MUST HAVE A 4" x 4" INSERT** for greater strength. (See Fig 2.)
3. Inet the post into the hole, be sure it is square and in-line with your string layout.
4. Pour concrete around the post approximately 6" at a time. Tamp to eliminate air pockets, and continually check for level.
5. Before the concrete sets, sight down the fence line to be sure all posts align, and are at the same height. High posts can be driven deeper by placing a wooden block across the top and tapping down with a hammer. Allow concrete to set 24-48 hours.

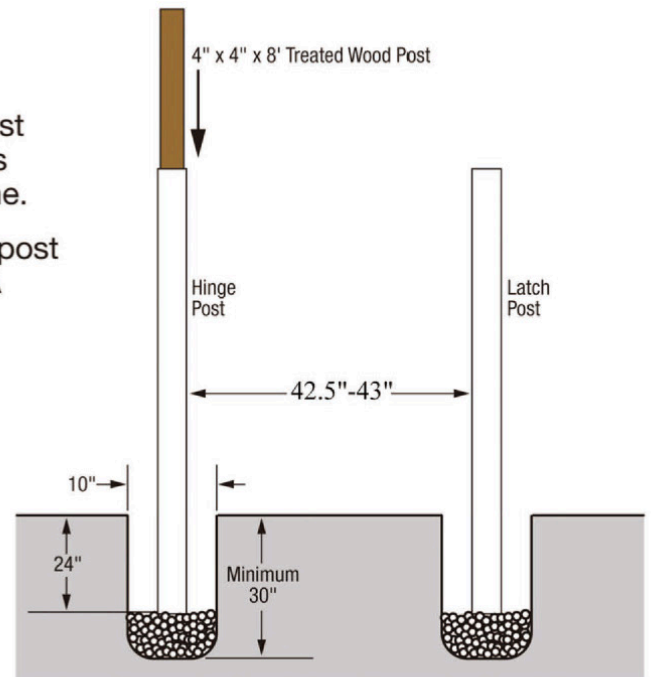


Fig 2. Setting Posts

Assembling the Gate

Installing Gate

1. Align the Top and Bottom Rails of the Assembled Gate with the rails of the existing fence. There must be adequate clearance from the bottom rail to the ground as well. (See Fig 3.)
2. Use clamps to hold Hinged Brackets (D) against the Hinge Post. Pre-drill and install screws in both Hinged Brackets.
3. Adjust the hinges as necessary so the gate is equally spaced between both posts. (See Fig 4.)

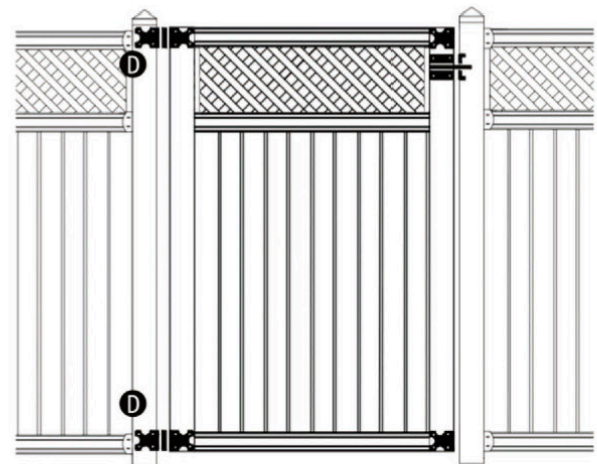
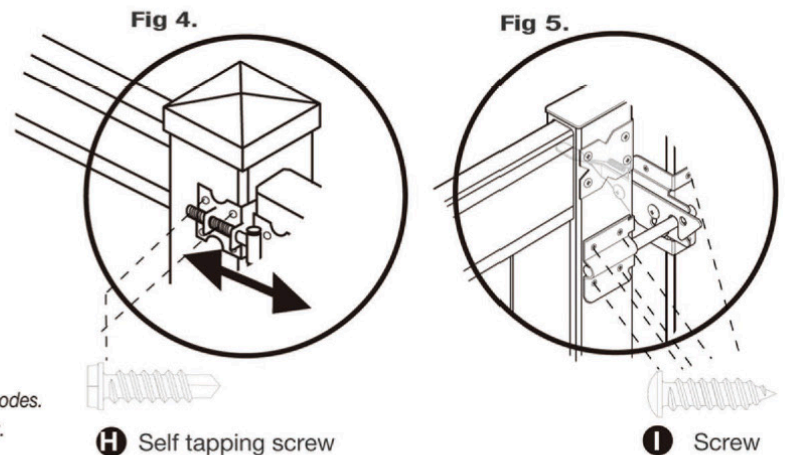


Fig 3. Align Gate

Installing Striker & Latch

1. Attach Stiker (B) to the Gate in desired location. Using the Striker as a guide mount the Latch (C) to the Latch Post. The Latch is set up for Right-Hand swing. To reverse this, remove the spring and 2 bolts, flip the base and reinstall.



Use of this product must be in accordance with all local & zoning and/or building codes.
Consumer assumes all risks and liability associated with the use of this product.
For warranty details see the express written limited warranty for your product.

Installing Hardware

1. The Hinged Brackets (**D**) and Jamb Brackets (**E**) should be located on the Gate Jamb in line with the Top and Bottom Rail.
2. Use the brackets as a guide and drill all holes, being sure to pass through Gate Jamb and Top Bottom Rail.
3. Secure the Brackets using supplied nuts and bolts. Do not tighten fully.
4. Make sure the entire Gate assembly is square and tighten all bolts using a 7/16" wrench.

